

# SONY® Service Bulletin

NO: HIF12-99-003

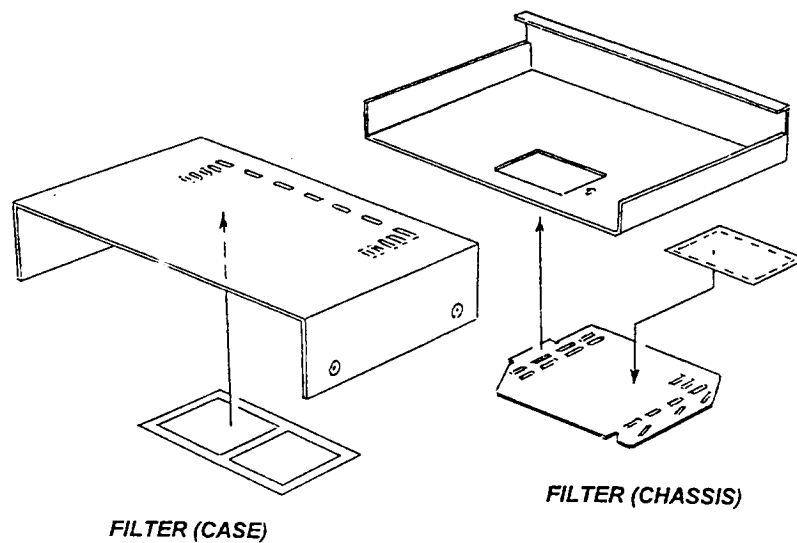
**SUBJECT: ANTI DUST FILTER FOR MD**

**DATE: JANUARY 1999**

**MODEL (S): MDS-302/303/JA3ES/M9**

Attach the anti dust filter to the top and bottom case in order to keep dust off of the optical lens.

MODEL	DESCRIPTION	PART NUMBER
MDS-302/303/JA3ES	FILTER (F) ASSY	X-4949-304-1
MDS-M9	FILTER (M) ASSY	X-4949-303-1



Sony of Canada Ltd.

115 Gordon Baker Road, Toronto, Ontario M2H-3R6  
NATIONAL LAB - CONSUMER SERVICE

SONAM 549  
AU97030R1  
AU05097